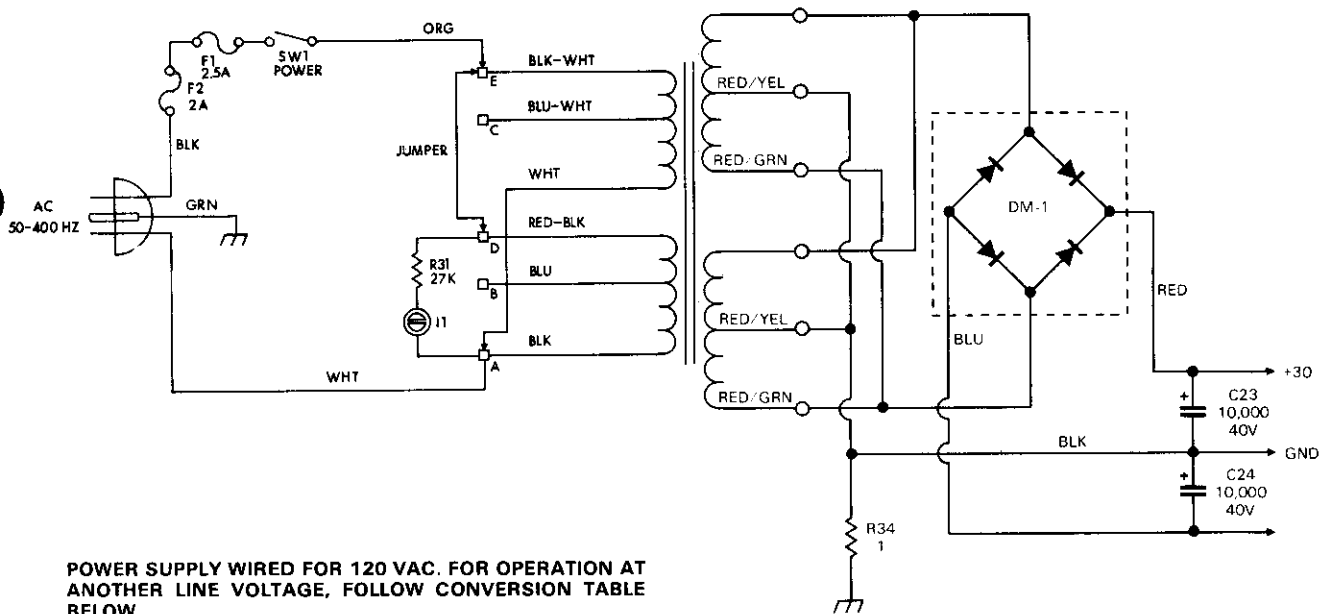


NOTES:

- THIS CIRCUIT STARTS SN 12751, AND APPLIES TO SCHEMATIC MI-247C, MI-247D.
- C7 ADDED SN16,776. Q115, Q215 ADDED SN 17526.
- SCHEMATIC DESIGNATIONS PRECEDED BY 1 ARE LEFT CHANNEL; BY 2, RIGHT CHANNEL.
- VALUES SHOWN ONLY FOR LEFT CHANNEL.



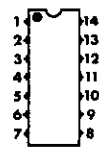
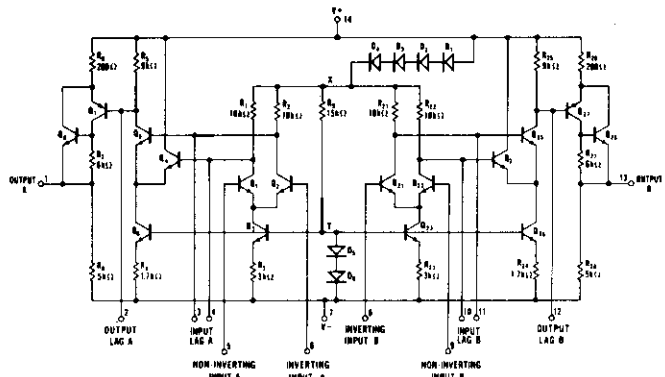
POWER SUPPLY WIRED FOR 120 VAC. FOR OPERATION AT ANOTHER LINE VOLTAGE, FOLLOW CONVERSION TABLE BELOW.

SELECT THE CORRECT VOLTAGE; CAREFULLY IDENTIFY ALL WIRES BEFORE PROCEEDING.

**NOTE:**

- ALL SIX TRANSFORMER WIRES ARE SOLDERED TO AN ADJACENT TERMINAL STRIP (POINTS A, B, C, D, AND E). ONLY FOUR WIRES ARE USED FOR ANY VOLTAGE CONFIGURATION.
- THE JUMPER WIRE, THE ORG AC WIRE, AND THE WHT TRANSFORMER WIRE ARE ALL DRAWN WITH ARROWS. THESE ARE THE ONLY WIRES THAT MOVE.
- FOR OPERATION BELOW 200VAC, THE LINE FUSE F2, IS 2A; FOR 200VAC AND ABOVE, F2 IS 1A.

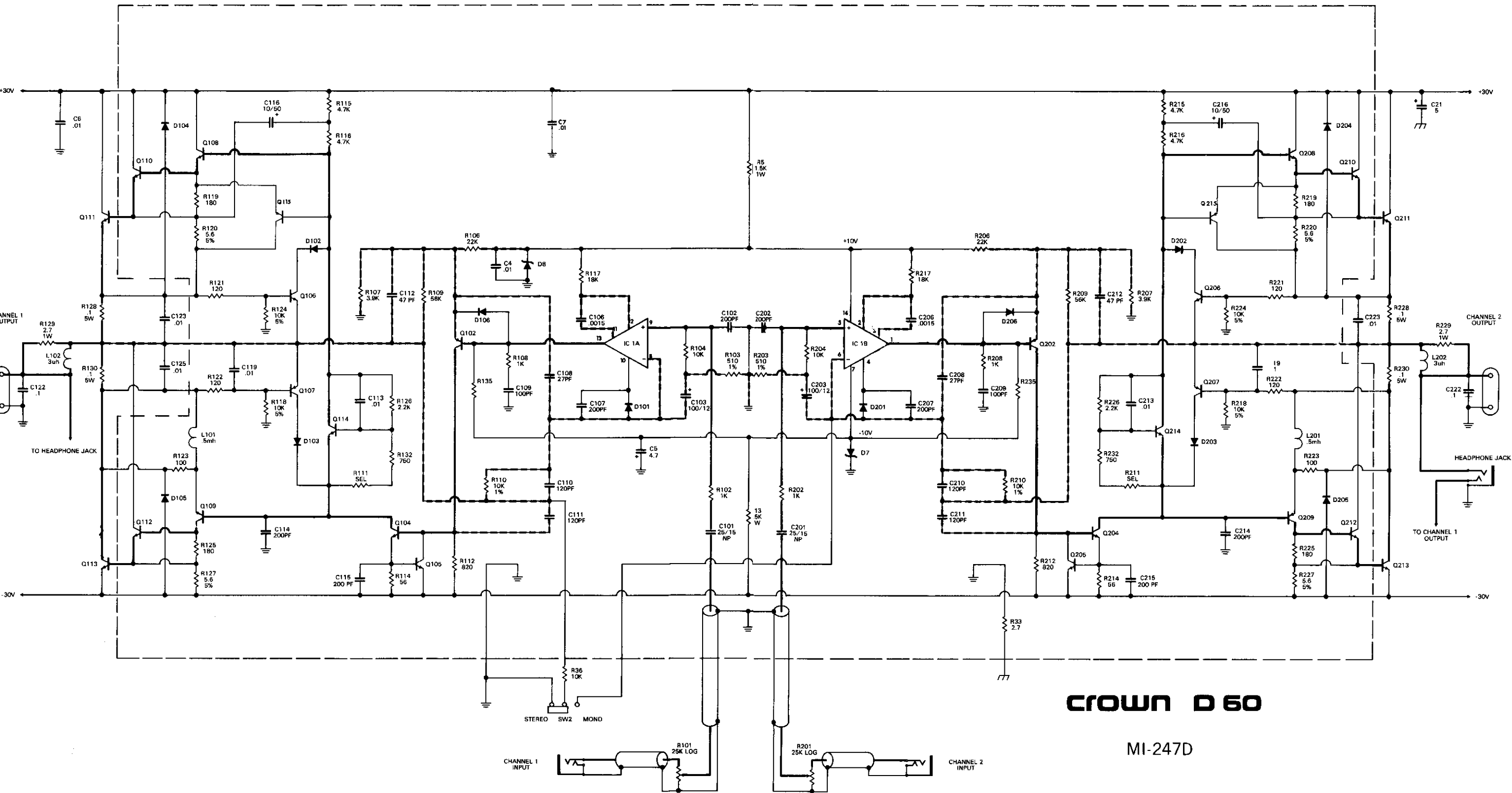
LINE VOLTAGE	JUMPER	ORG AC	WHT TRANSFORMER
100	B-C	C	A
120	D-E	E	A
200	NONE	C	B
220	NONE	C	D
240	NONE	E	D



"IC" Pin Numbers (Top View)

**NOTES:**

- CIRCUIT SHOWN STARTS SN 12751, AND APPLIES ONLY TO P.C. BOARD #7925.
- POWER SUPPLY SHOWN STARTS SN 17,526.
- C6 WAS ADDED SN 13551; C7 ADDED 16,776.
- Q115, Q215 WAS ADDED SN 17526.
- TRANSISTORS Q114-Q108 AND Q214-Q208 ARE THERMALLY CONNECTED.
- ALL RESISTORS IN OHMS. ALL CAPACITORS IN MICRO-FARADS UNLESS OTHERWISE STATED.
- R135, R235 ARE 3.3K WHEN IC IS  $\mu$ A749. WHEN IC IS  $\mu$ A739, R135, R235 ARE OMITTED UNLESS INSTABILITY OCCURS. THEN RESISTORS ARE 10K.



**CROWN D 60**  
MI-247D