

6

5

4

3

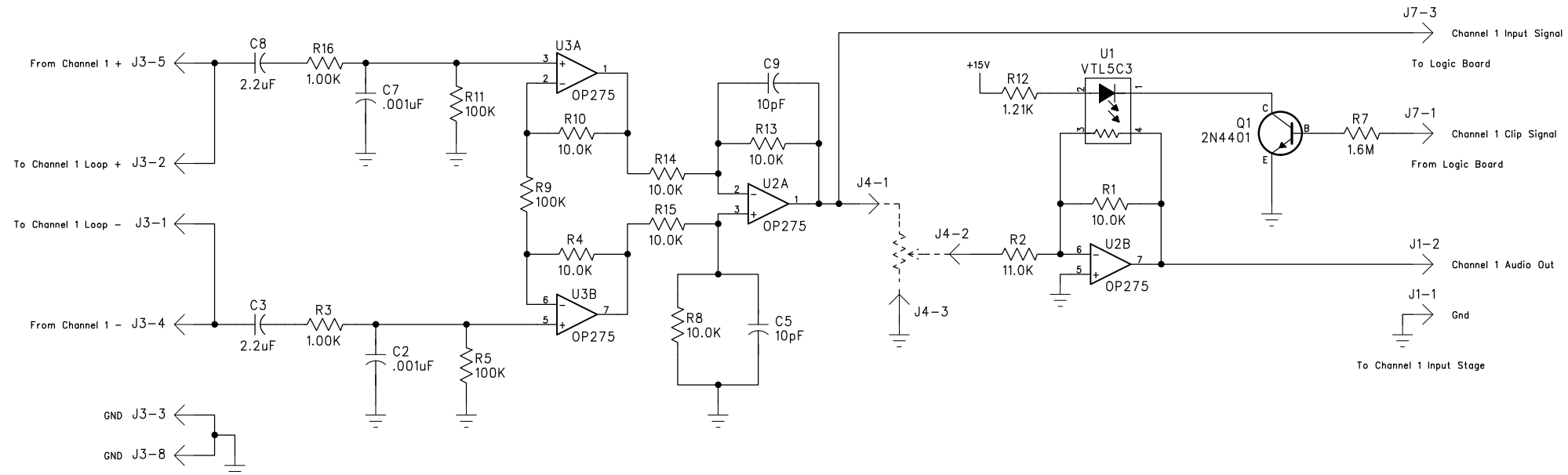
2

1

REV	DESCRIPTION	DATE	BY
B	REVISED & REDRAWN: SEE ECO #2099	9/12/97	G.L.

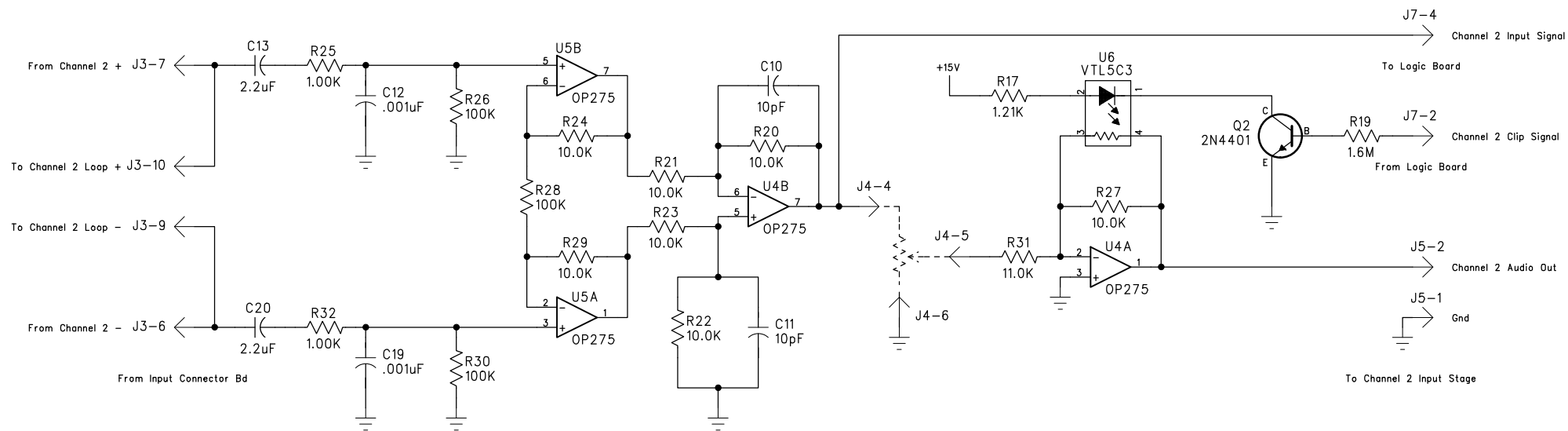
D

D



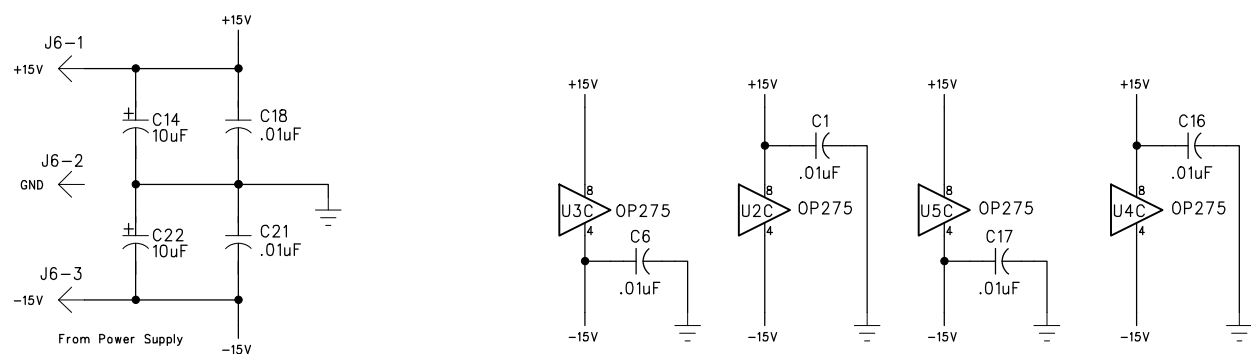
C

C



B

B



A

A

J7-5
→ Not Used On Passive Bd
J7-6
→ Not Used On Passive Bd
To Logic Board

COMPANY:		RENKUS-HEINZ, Inc.	
TITLE:		PCBA, AMP, P3501, PASSIVE INPUT	
DESIGNED:	J.O./T.N.	DATED:	07/15/97
RELEASED:	J.O./T.N.	DATED:	07/15/97
DRAWN:	T.N./G.L.	DATED:	07/15/97
QUALITY CONTROL:	DATED:	FILE:	D00438-B.SCH
SIZE:		DRAWING NO:	700-PCA332
REV:		B	
SHEET:		1 OF 1	