

6

5

4

3

2

1

D

C

B

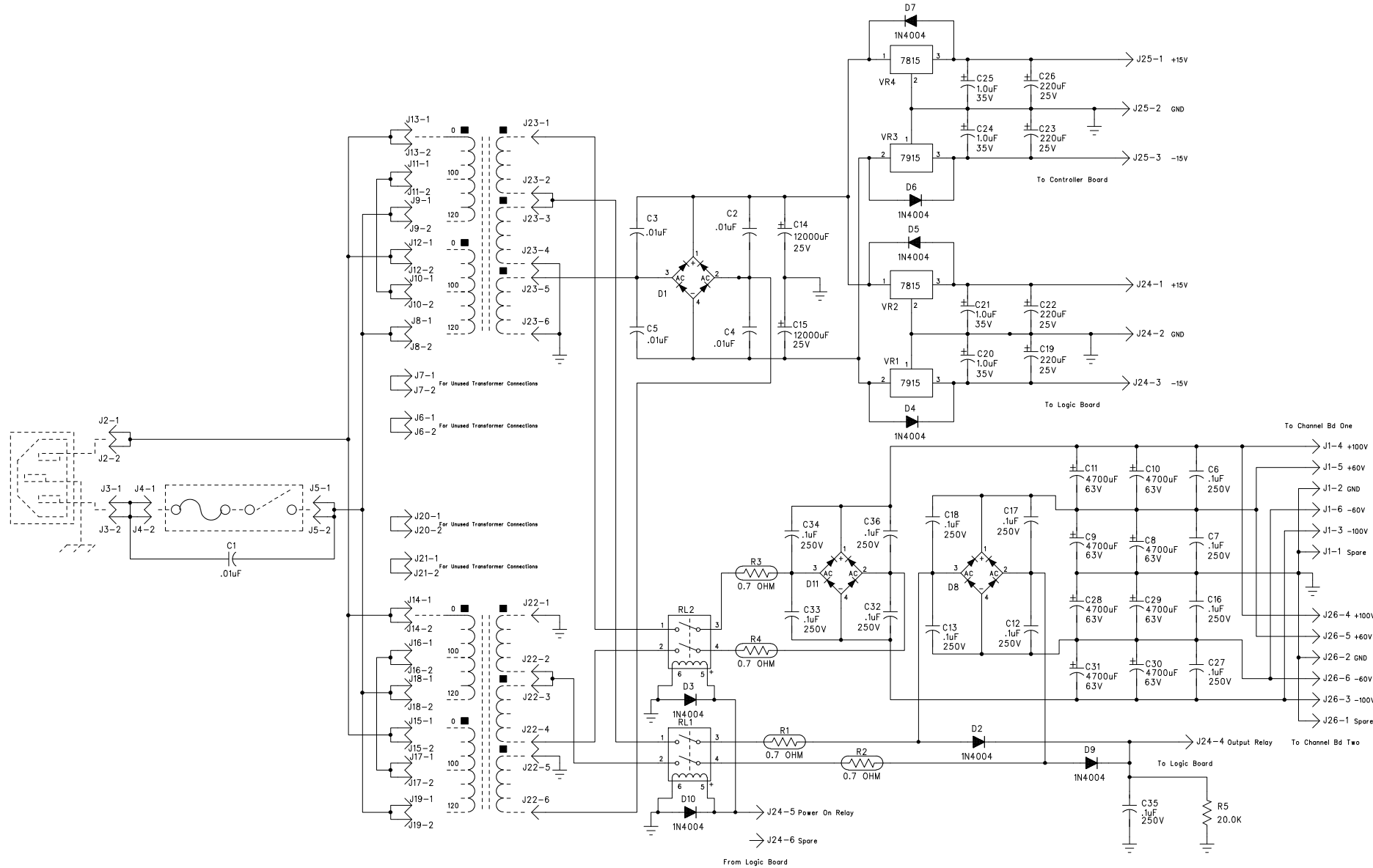
A

D

C

B

A



REV				DESCRIPTION		DATE	BY	DESIGNED:	DATED:	COMPANY:	
C				ECO-2476		7/21/98	G.L.	J.O.	03/10/97	RENKUS-HEINZ, Inc.	
								RELEASED:	DATED:	TITLE:	
								J.O./T.F.	03/10/97	POWER SUPPLY, AMP, P3500 / P3501	
								DRAWN:	DATED:	SIZE:	DRAWING NO:
								J.O./T.F.	03/10/97		700-PCA323
								QUALITY CONTROL:	DATED:	REV:	C
										FILE:	D00424-C.SCH
										SHEET:	1 OF 1