

6

5

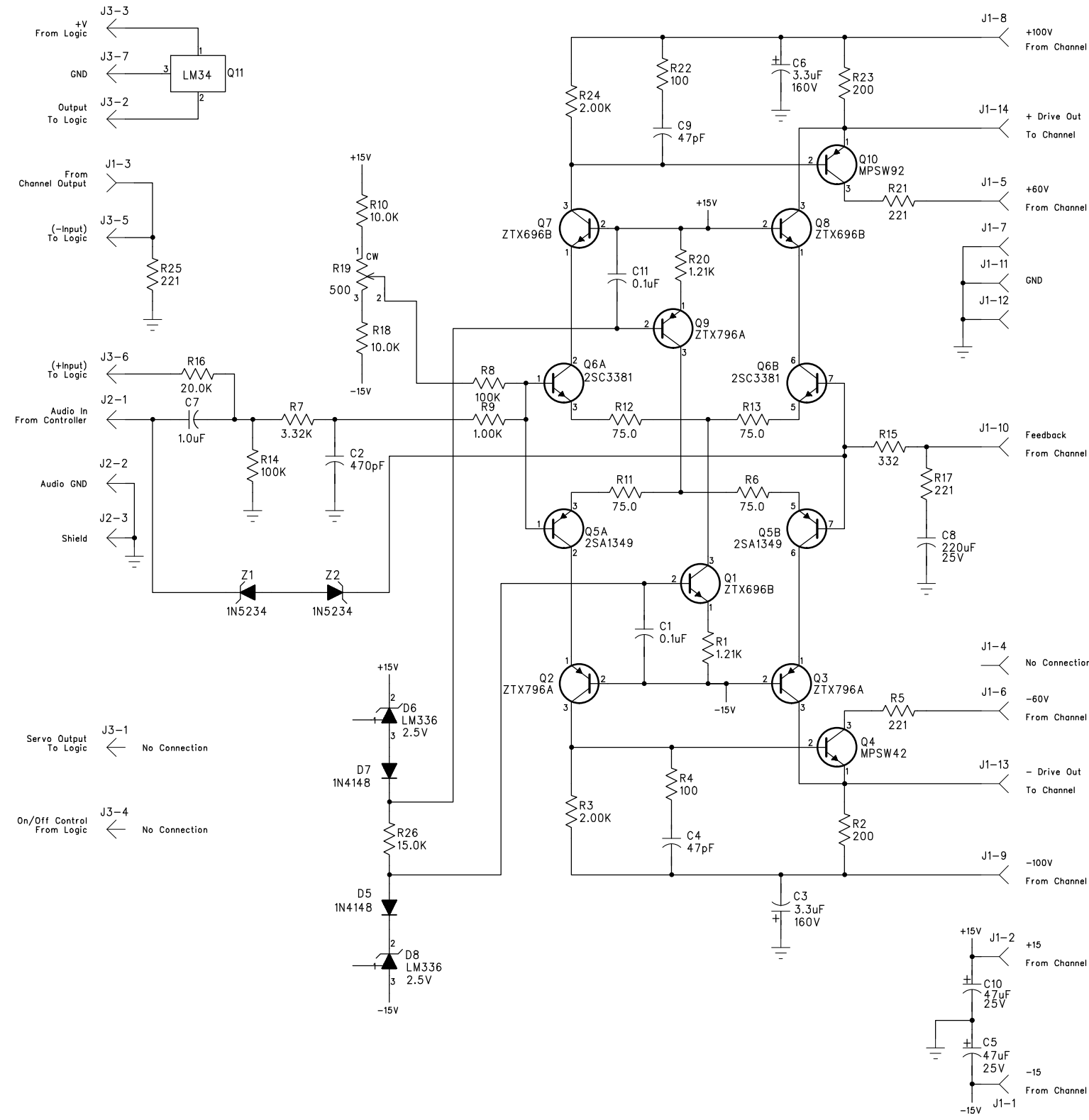
4

3

2

1

REV	DESCRIPTION	DATE	BY
C	REVISED & REDRAWN: SEE ECO #2633	1/5/99	G.L.



D

C

B

A

D

C

B

A

COMPANY:		RENKUS-HEINZ, Inc.	
TITLE:		PCBA, P3500/3501, PRE-AMP	
DESIGNED:	J.O.	DATED:	11/13/96
RELEASED:	J.O.	DATED:	03/13/97
DRAWN:	TLN	DATED:	11/13/96
QUALITY CONTROL:		DATED:	
SIZE:	DRAWING NO:	REV:	C
FILE:	D00450-C.SCH	SHEET:	11 OF 1

DESIGNED:	J.O.	DATED:	11/13/96
RELEASED:	J.O.	DATED:	03/13/97
DRAWN:	TLN	DATED:	11/13/96
QUALITY CONTROL:		DATED:	