

THIS DOCUMENT CONTAINS PROPRIETARY INFORMATION WHICH IS THE PROPERTY OF QSC AUDIO PRODUCTS. THAT MAY NOT BE DISCLOSED, REPRODUCED OR USED WITHOUT EXPRESS WRITTEN CONSENT FROM QSC AUDIO PRODUCTS.

REVISION				
REV	DESCRIPTION	EFF. DATE	CHK	APPROVED / DATE
1	PROTOTYPE RELEASE SA	9-27-00		
2	CLEAN UP NOTES, ADDED TOLERANCE TO COG PARTS AA	2-22-01		

- 8. ZENER TOLERANCE IS 5%
- 7. SMT CAPACITOR VOLTAGE IS 50V
- 6. SMT RESISTOR WATTAGE RATING IS 0.1W
- 5. RESISTOR WATTAGE RATING IS 1/4W  
FOR RESISTOR WATTAGE RATINGS GREATER THAN 1W, TOLERANCE IS 5%  
FOR RESISTOR WATTAGE RATINGS LESS THAN 1/2W, TOLERANCE IS 1%
- 4. THROUGH-HOLE FILM AND CERAMIC CAPACITOR TOLERANCE IS 10%, VOLTAGE IS 100V
- 3. ELECTROLYTIC CAPACITOR TOLERANCE IS 20%
- 5. J104, J204 ARE CONNECTED PIN TO PIN BY 13-LINE RIBBON CABLE.
- 4 PART NUMBERING SCHEME  
PARTS IN COMMON TO BOTH CH: 1-99. CH 1 PARTS 100-199. CH 2 PARTS 200-299
- 3. COMPONENTS MARKED WITH  $\triangle$  ARE SAFETY CRITICAL PARTS.
- 2. COMPONENTS WITH VALUE PREFIXED WITH A "\*" REPRESENT SMT COMPONENTS.
- 1. THIS DRAWING USED IN CONJUNCTION WITH ASSEMBLY WP-004501-00

NOTES: UNLESS OTHERWISE SPECIFIED

QTY	ITEM NO.	PART NO.	DESCRIPTION	VENDOR
<b>PARTS LIST</b>				
UNLESS OTHERWISE SPECIFIED DIMENSIONS ARE IN INCHES. DIMENSIONS PER ANSI Y14.5-1982 TOLERANCES ARE: DECIMALS    DECIMALS    ANGLES .xx ±        .xxx ±        0 DEBURR EDGES .xxx R MAX MATERIAL			CONTRACT NO.	
WP-002801-00    ISA 280			APPROVALS    DATE	
NEXT ASSY    USED ON			DRAWN    PAT QUILTER    2-25-00	
APPLICATION    DO NOT SCALE DRAWING			CHECKED	
			ISSUED	
			SCALE    NONE    CAD FILE NO.    Sh3001r2.sch    SHEET 1 OF 4	
			PLOT DATE:    Mon Mar 19, 2001	

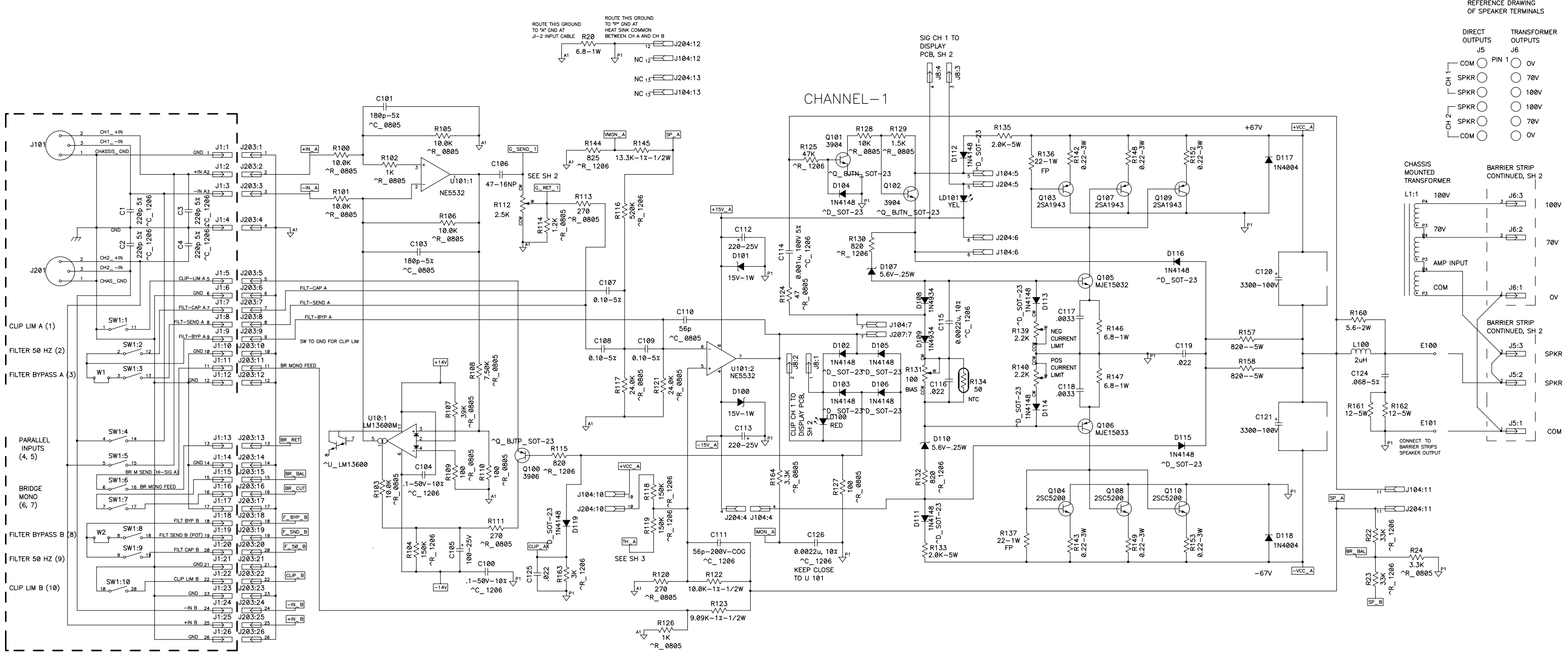
**QSC AUDIO PRODUCTS, INC.**  
COSTA MESA, CALIFORNIA

**SCHEMATIC DIAGRAM**  
**ISA-300T**

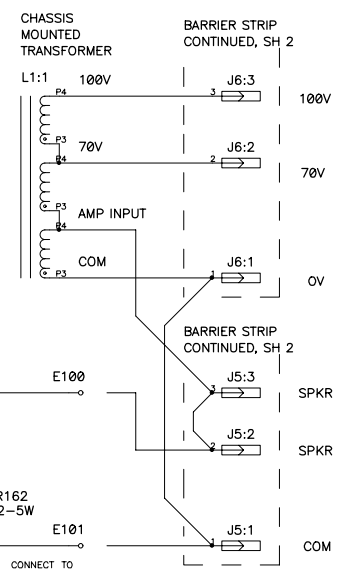
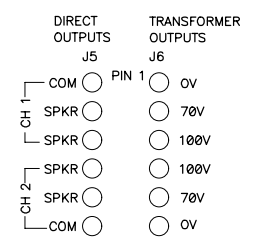
SIZE: **D**    FSCM NO.    DWG NO.    **SH-003001-00**    REV    **2**

1 SH-003001-00

THIS DOCUMENT CONTAINS PROPRIETARY INFORMATION WHICH IS THE PROPERTY OF QSC AUDIO PRODUCTS. THAT MAY NOT BE DISCLOSED, REPRODUCED OR USED WITHOUT EXPRESS WRITTEN CONSENT FROM QSC AUDIO PRODUCTS.



REFERENCE DRAWING OF SPEAKER TERMINALS



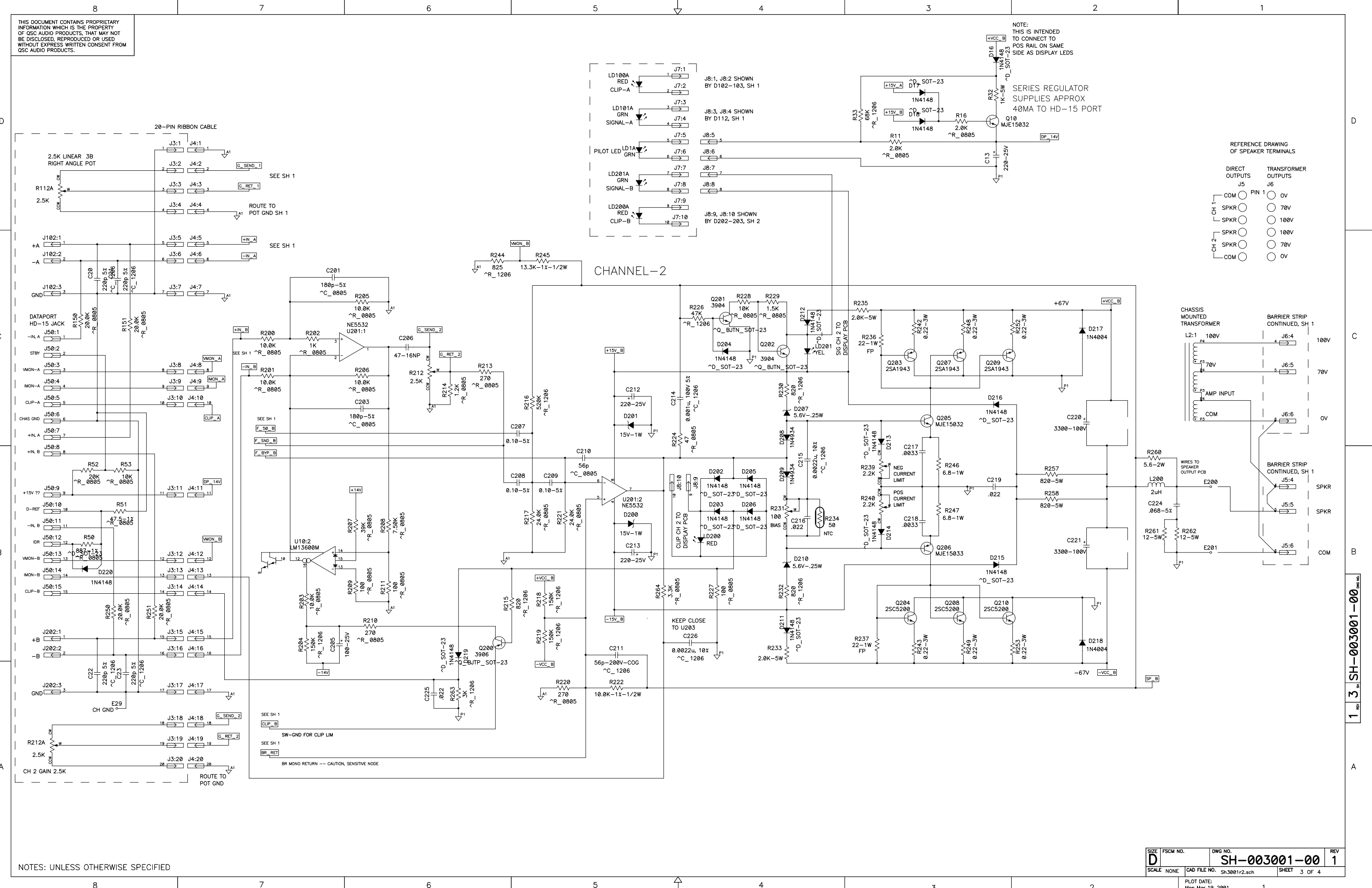
NOTES: UNLESS OTHERWISE SPECIFIED

SIZE	FSCM NO.	DWG NO.	REV
D		SH-003001-00	1
SCALE	NONE	CAD FILE NO. Sh3001r2.sch	SHEET 2 OF 4
PLOT DATE: Mon Mar 19, 2001		1	

1 2 SH-003001-00

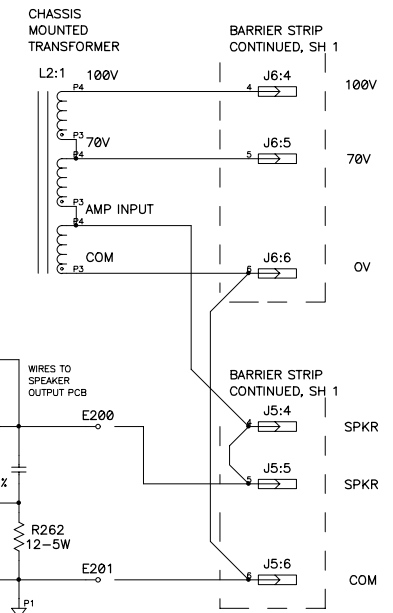
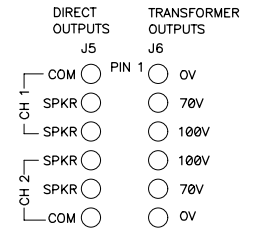
THIS DOCUMENT CONTAINS PROPRIETARY INFORMATION WHICH IS THE PROPERTY OF QSC AUDIO PRODUCTS. THAT MAY NOT BE DISCLOSED, REPRODUCED OR USED WITHOUT EXPRESS WRITTEN CONSENT FROM QSC AUDIO PRODUCTS.

NOTE: THIS IS INTENDED TO CONNECT TO POS RAIL ON SAME SIDE AS DISPLAY LEADS



SERIES REGULATOR SUPPLIES APPROX 40MA TO HD-15 PORT

REFERENCE DRAWING OF SPEAKER TERMINALS



NOTES: UNLESS OTHERWISE SPECIFIED

1 SH-003001-00

THIS DOCUMENT CONTAINS PROPRIETARY INFORMATION WHICH IS THE PROPERTY OF QSC AUDIO PRODUCTS. THAT MAY NOT BE DISCLOSED, REPRODUCED OR USED WITHOUT EXPRESS WRITTEN CONSENT FROM QSC AUDIO PRODUCTS.

AC VOLTAGE PROGRAMMING TERMINALS

AC INPUT, HIGH (ALL)

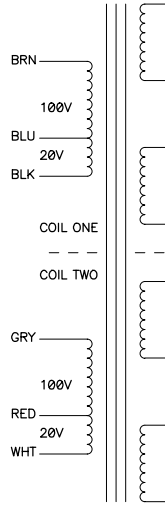
100V	120V	240V
BRN	BRN	BRN
GRY	GRY	-

TRANSFORMER PRI LEADS

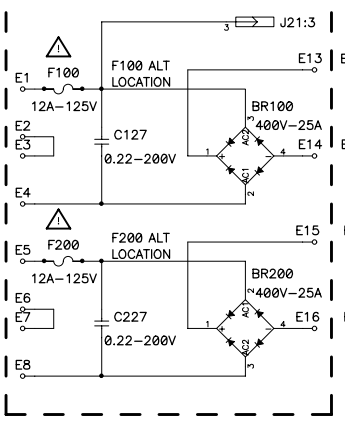
BRN	GRY	-
BLK	BLU	BLU
-	-	BLK
-	-	GRY
WHT	RED	RED
BLU	BLK	-
RED	WHT	WHT

AC INPUT, LOW (ALL)

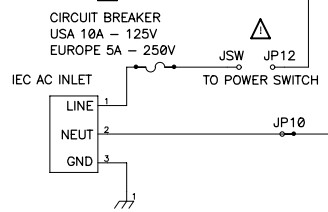
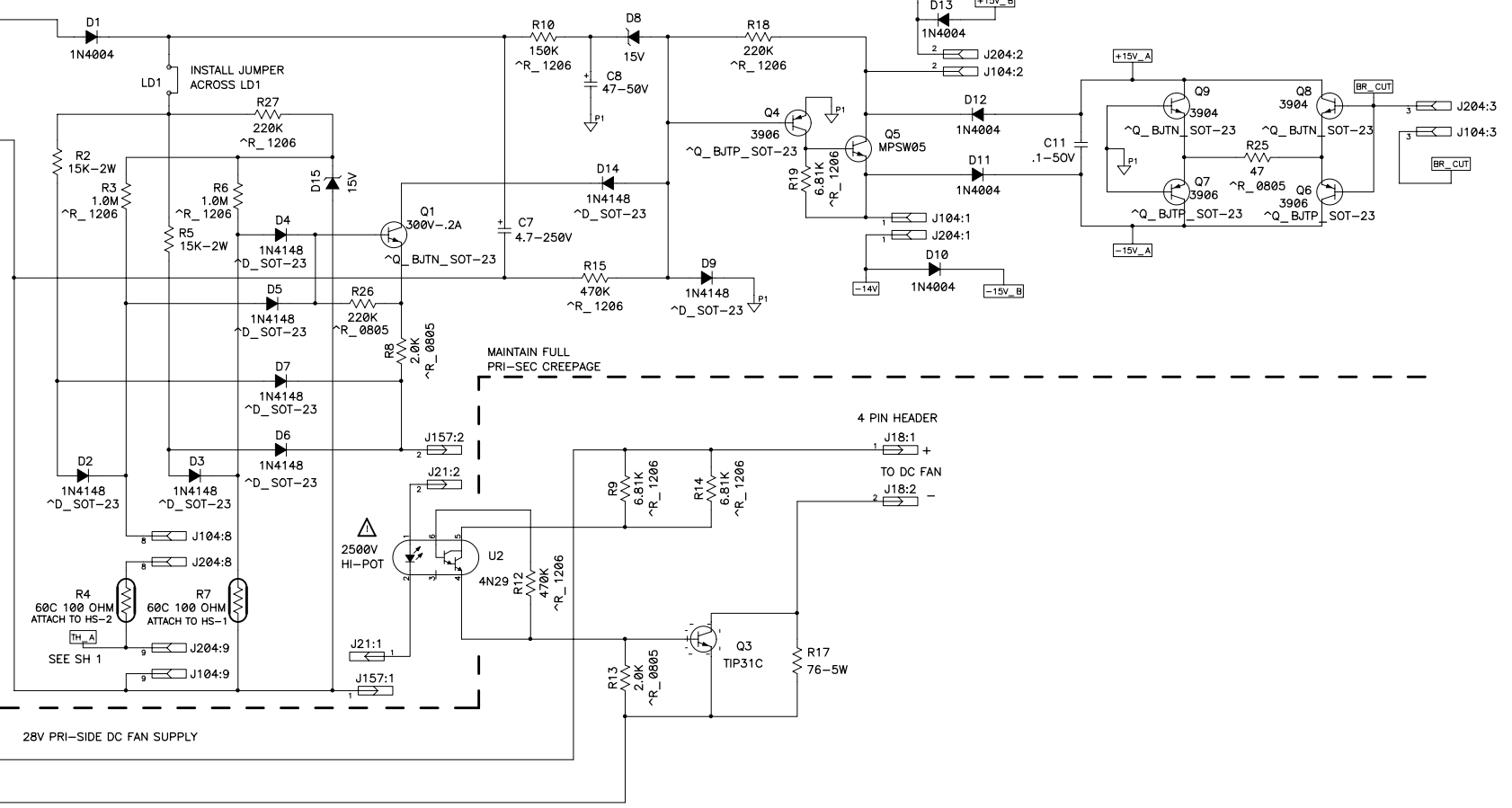
U-1 CORE POWER TRANSFORMER  
NOTE SPLIT SECONDARY WIRING FROM EACH LEG TO EACH CHANNEL



RECTIFIERS BR100, 200 AND C127-227 ARE LOCATED OFF THE MAIN PCB, MOUNTED TO CHASSIS.



MUTING AND THERMAL PROTECTION.



20 VAC TO FAN POWER RECTIFIER

28V PRI-SIDE DC FAN SUPPLY

MAINTAIN FULL PRI-SEC CREEPAGE

MAINTAIN FULL PRI-SEC CREEPAGE

NOTES: UNLESS OTHERWISE SPECIFIED

SIZE	FSCM NO.	DWG NO.	REV
D		SH-003001-00	1
SCALE	NONE	CAD FILE NO.	SHEET
		Sh3001r2.sch	4 OF 4
PLOT DATE:		REV	
Mon Mar 19, 2001		1	

1 4 SH-003001-00