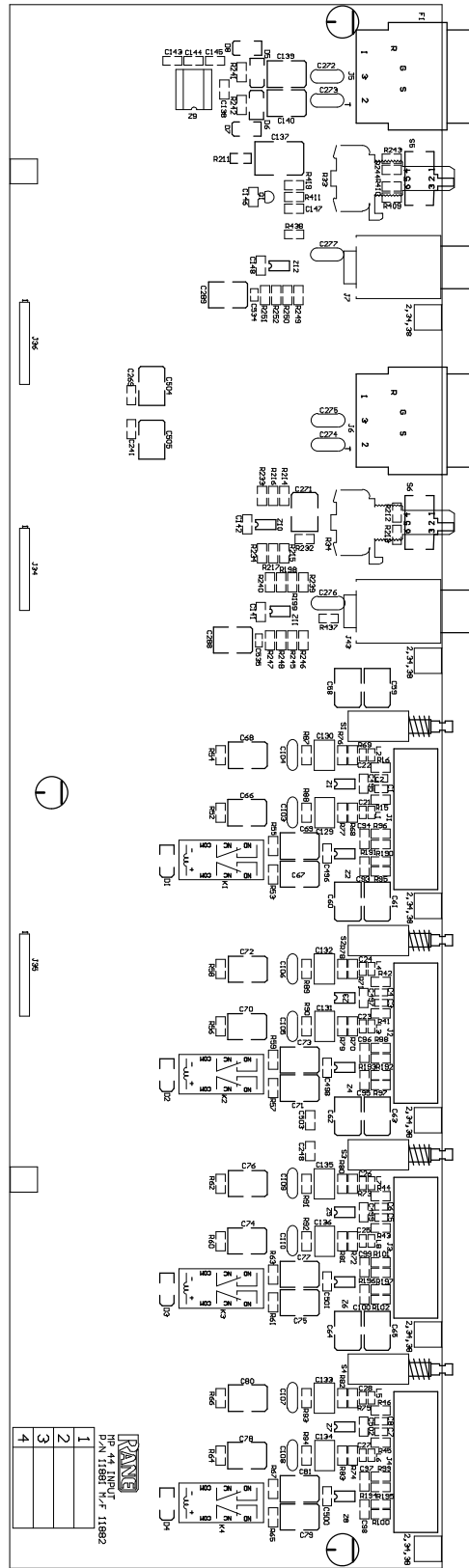
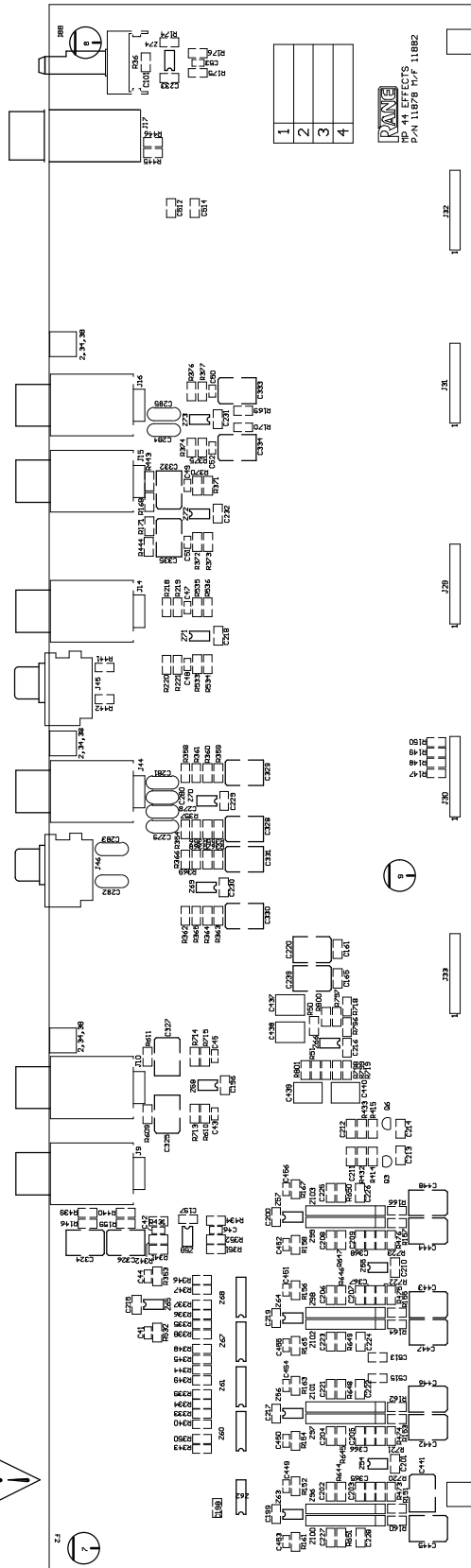
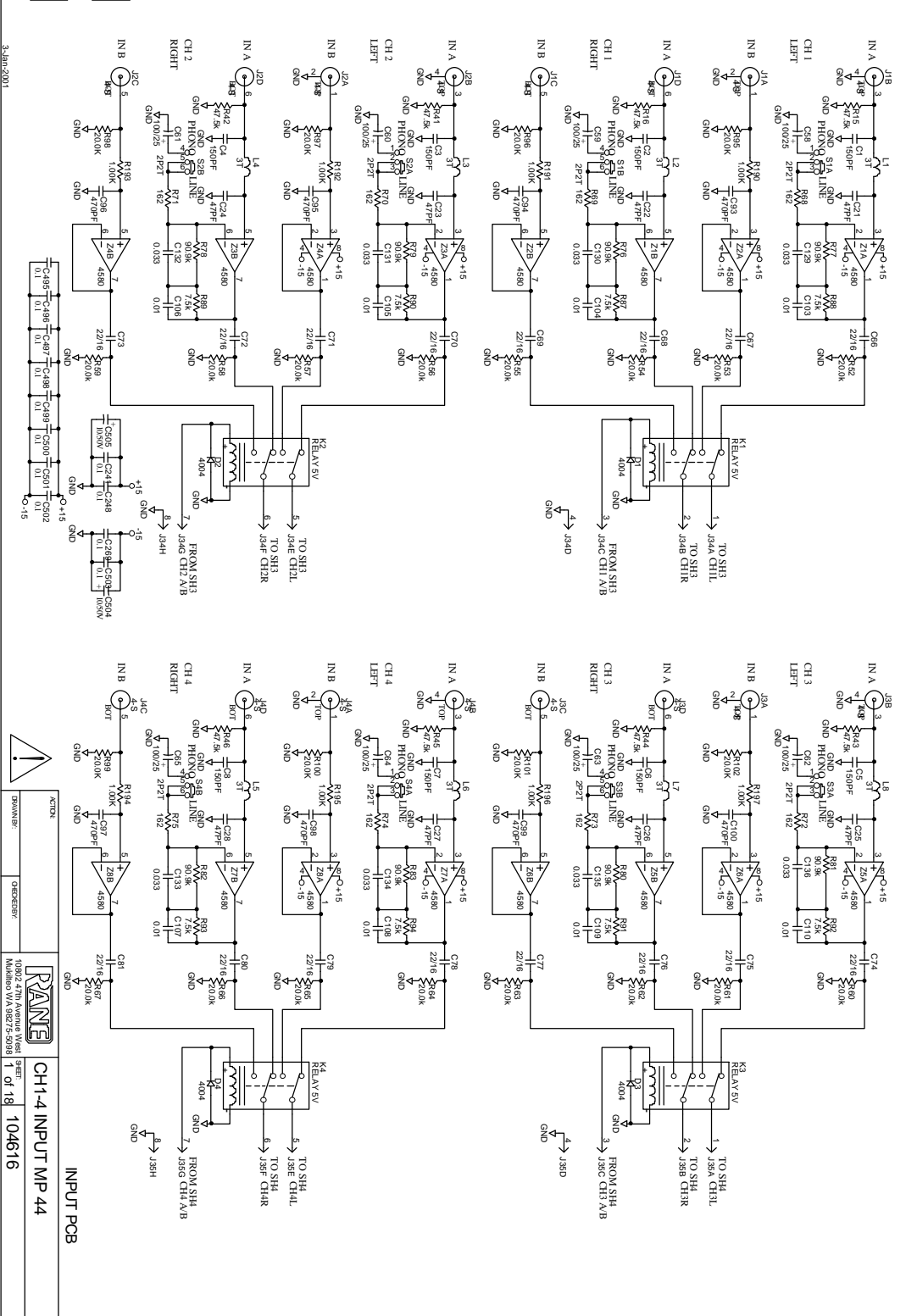


Rane Corp. (425)355-6000
 104607 DES: FRONT MP 44
 ACTION: ROTATED SOME LED'S, MOVED J3, J1, J2 RWJ 22DEC00



Rane Corp. <425>355-6000
 104613 DES: INPUT/EFFECTS MP 44
 ACTION: ADDED C534 & C535, MOVED 1 L BRACKET RWJ 21DEC00



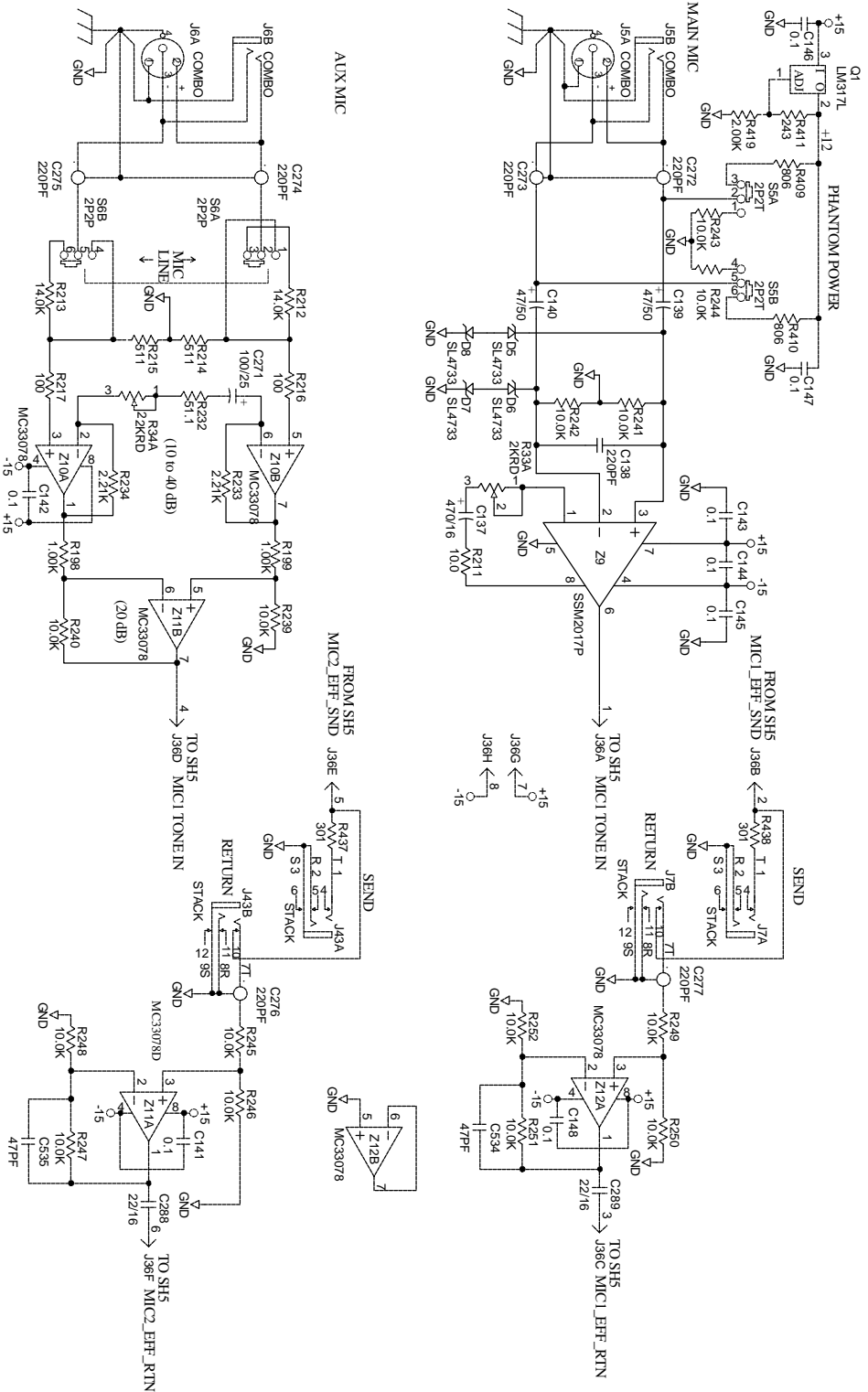


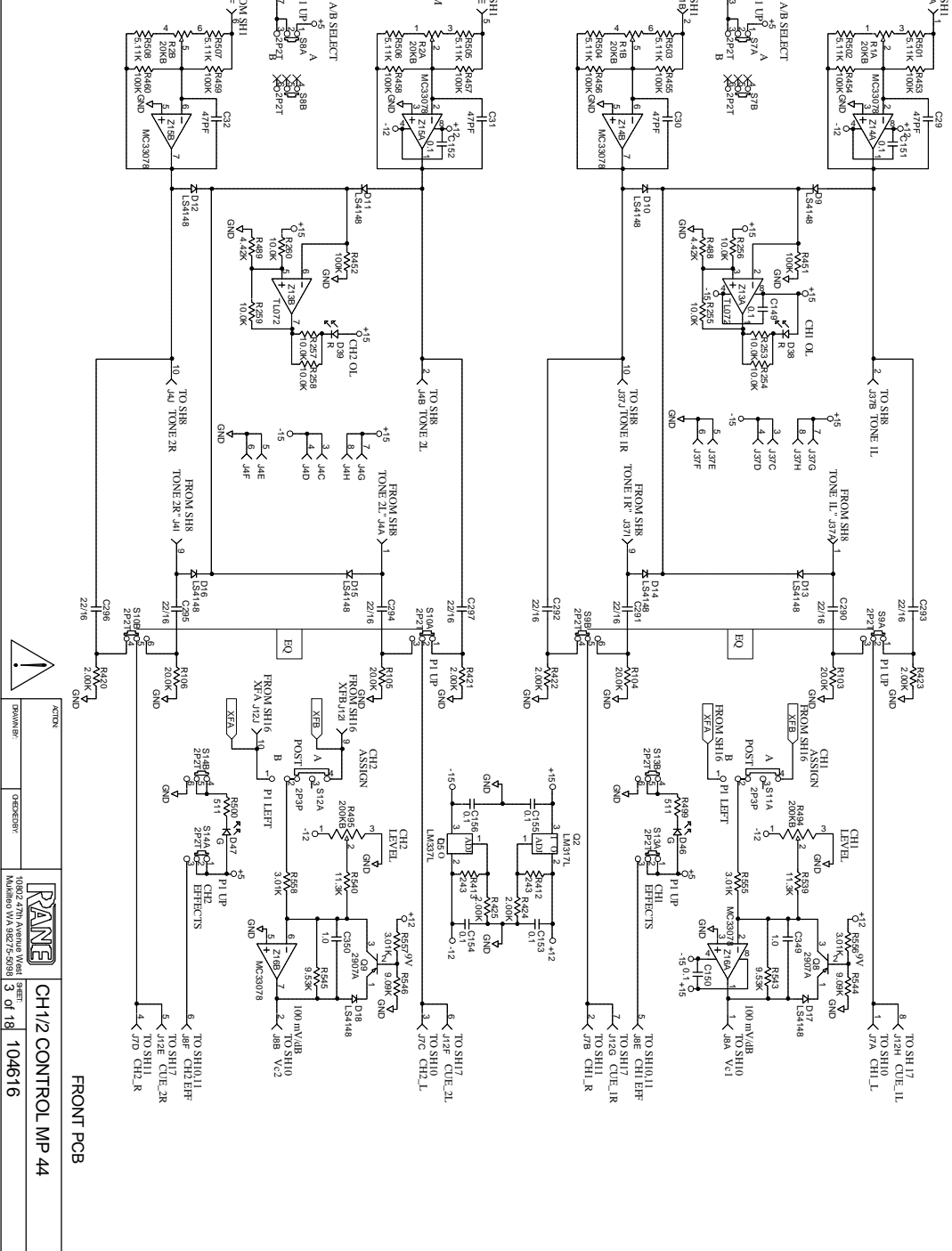
ACTION: DRAWN BY: CHECKED BY:



MIC INPUTS MP 44 SHEET: 2 of 18 104616

INPUT PCB





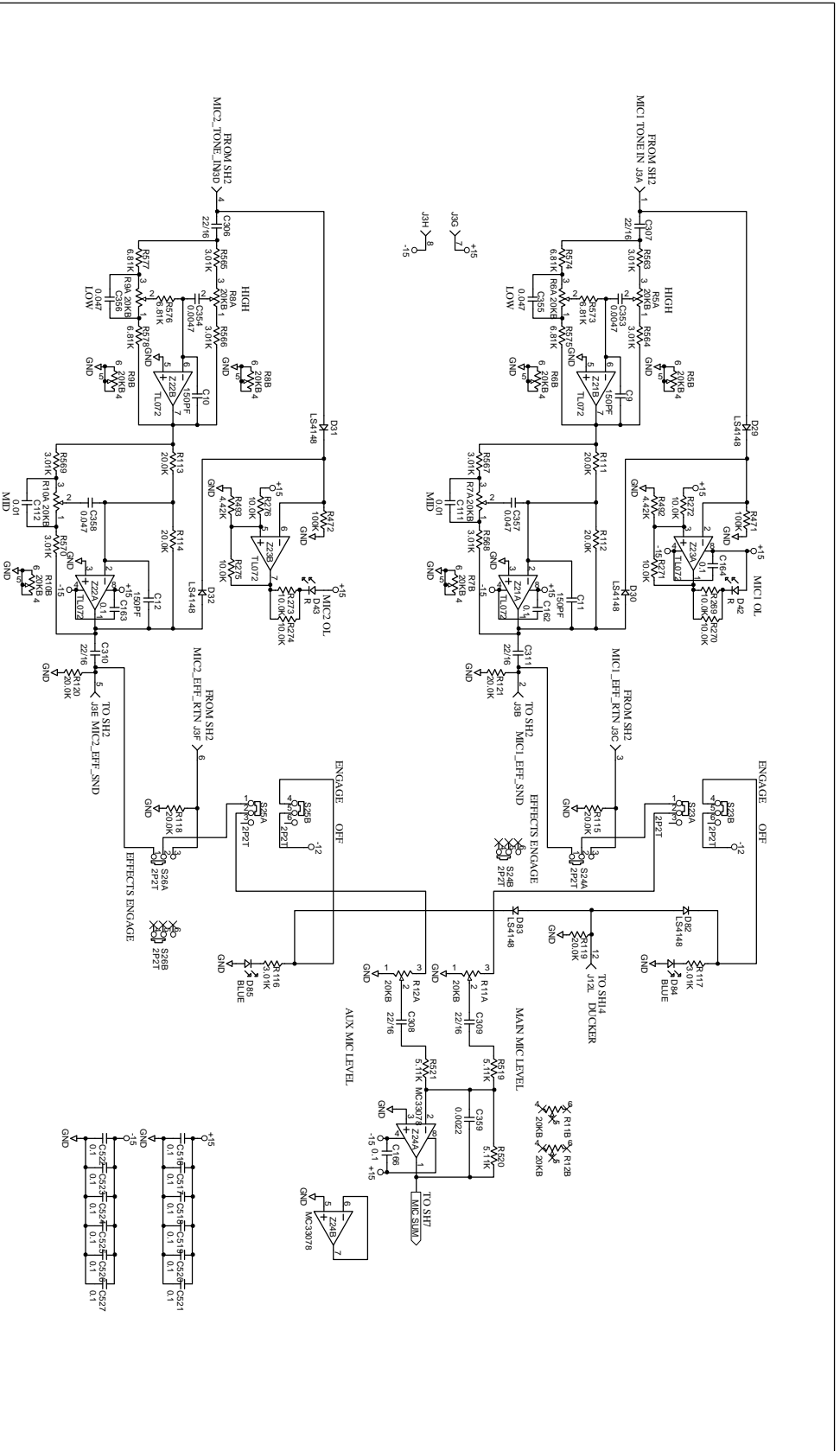
FRONT PCB

	ACTION DRAINAGE CHECKER
10802 27th Avenue West SEET Mukwonago WI 53075-5888 3 of 18 104616	



ACTION	REVISION
DRAWN BY:	CREATED BY:
10802 27th Avenue West Mukwonago, WI 53075-2898	
SHEET: MIC TONE/ASSIGN MP 44 5 of 18 104616	

FRONT PCB





ACTION:

DRAWN BY:

CHECKED BY:



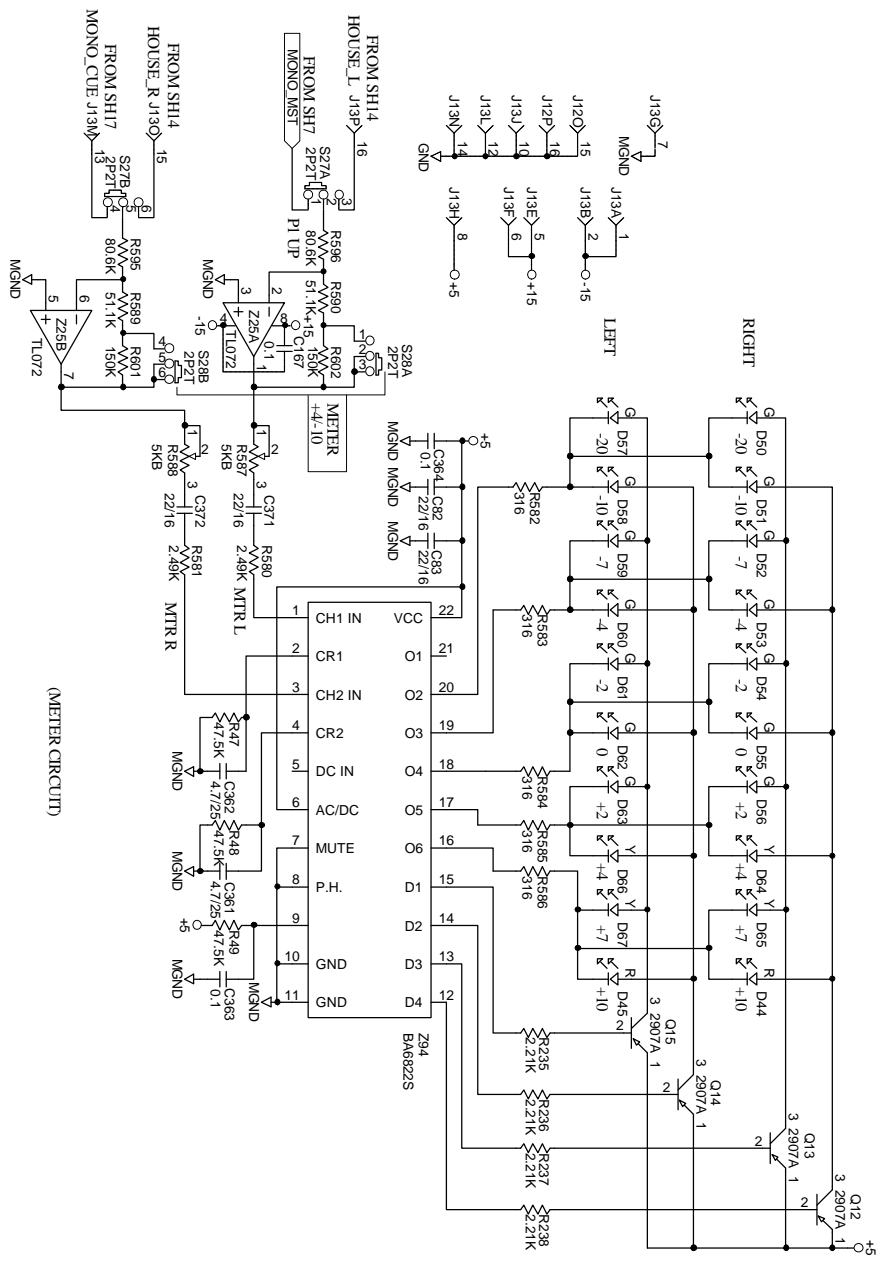
10302 47th Avenue West
 Mukilteo WA 98275-5098

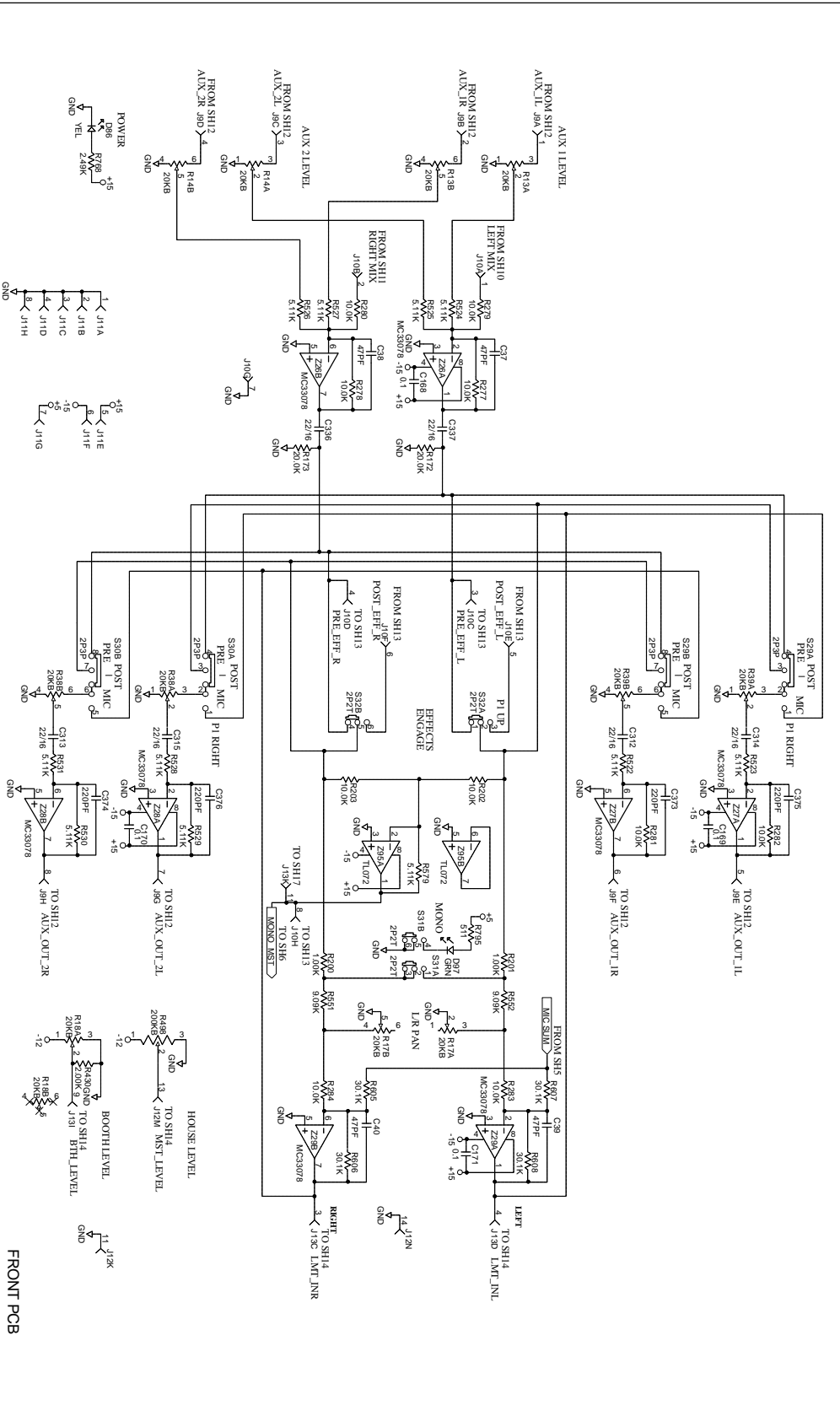
SHEET: 6 of 18

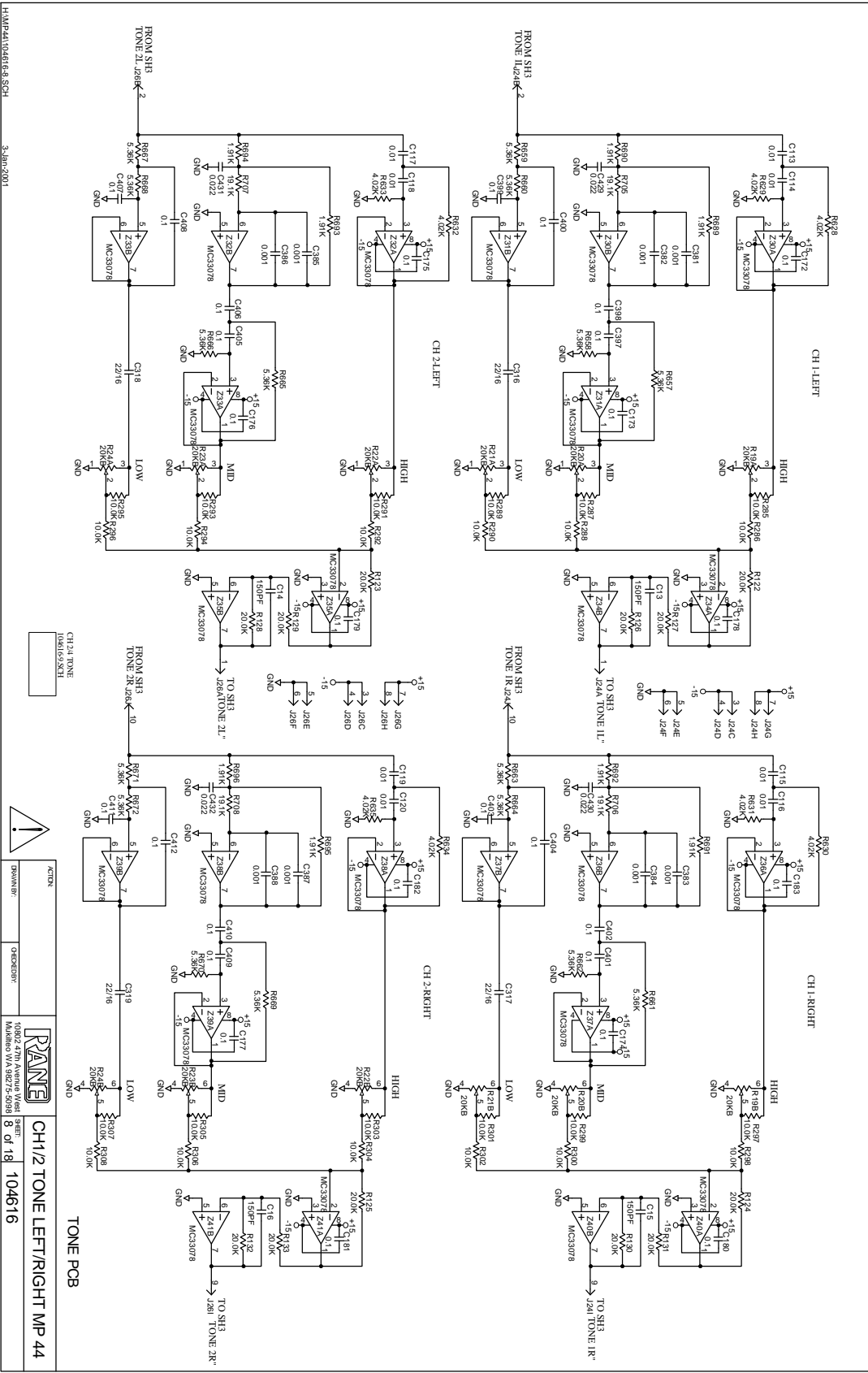
104616

METER MP 44

FRONT BOARD



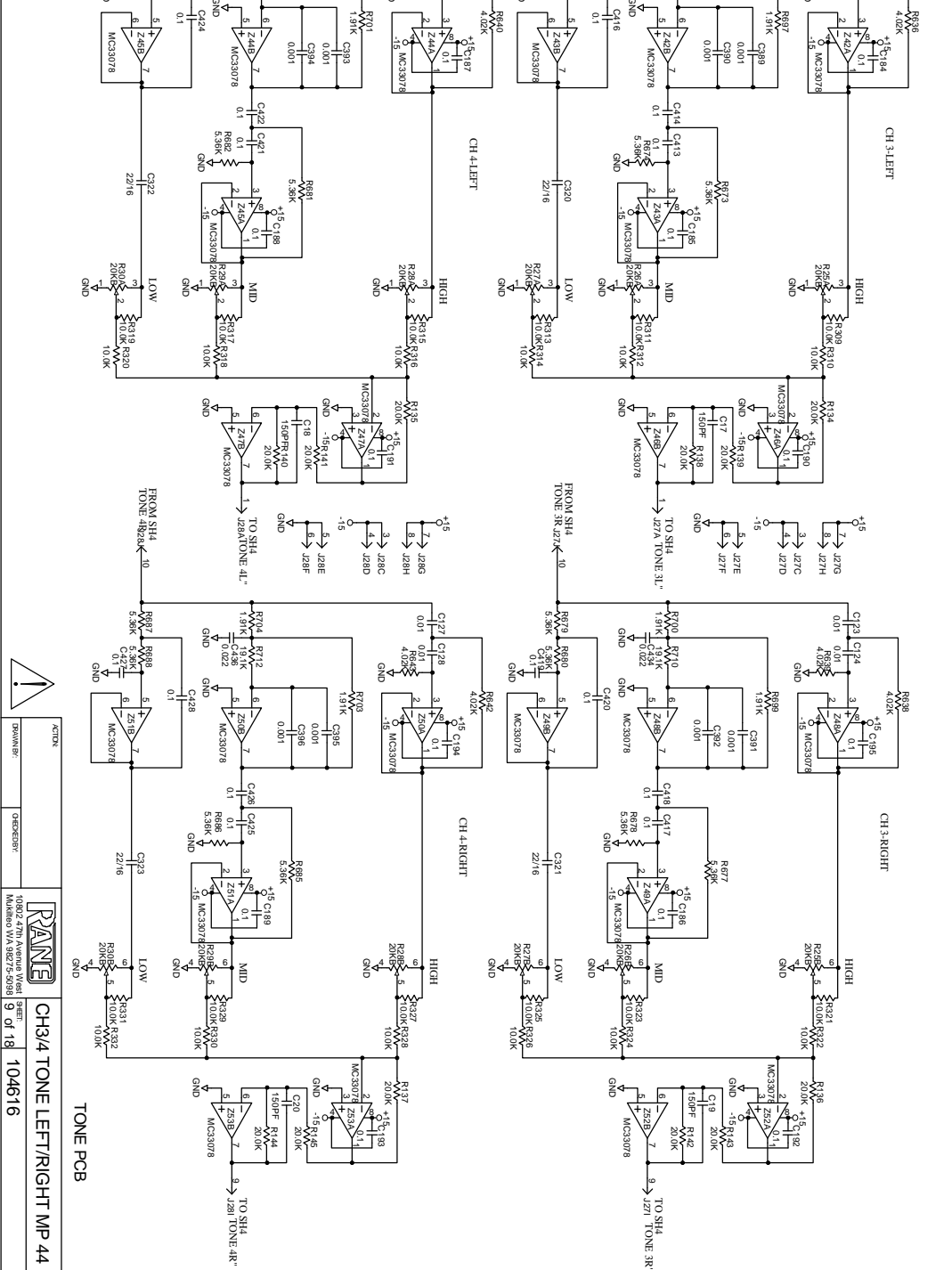


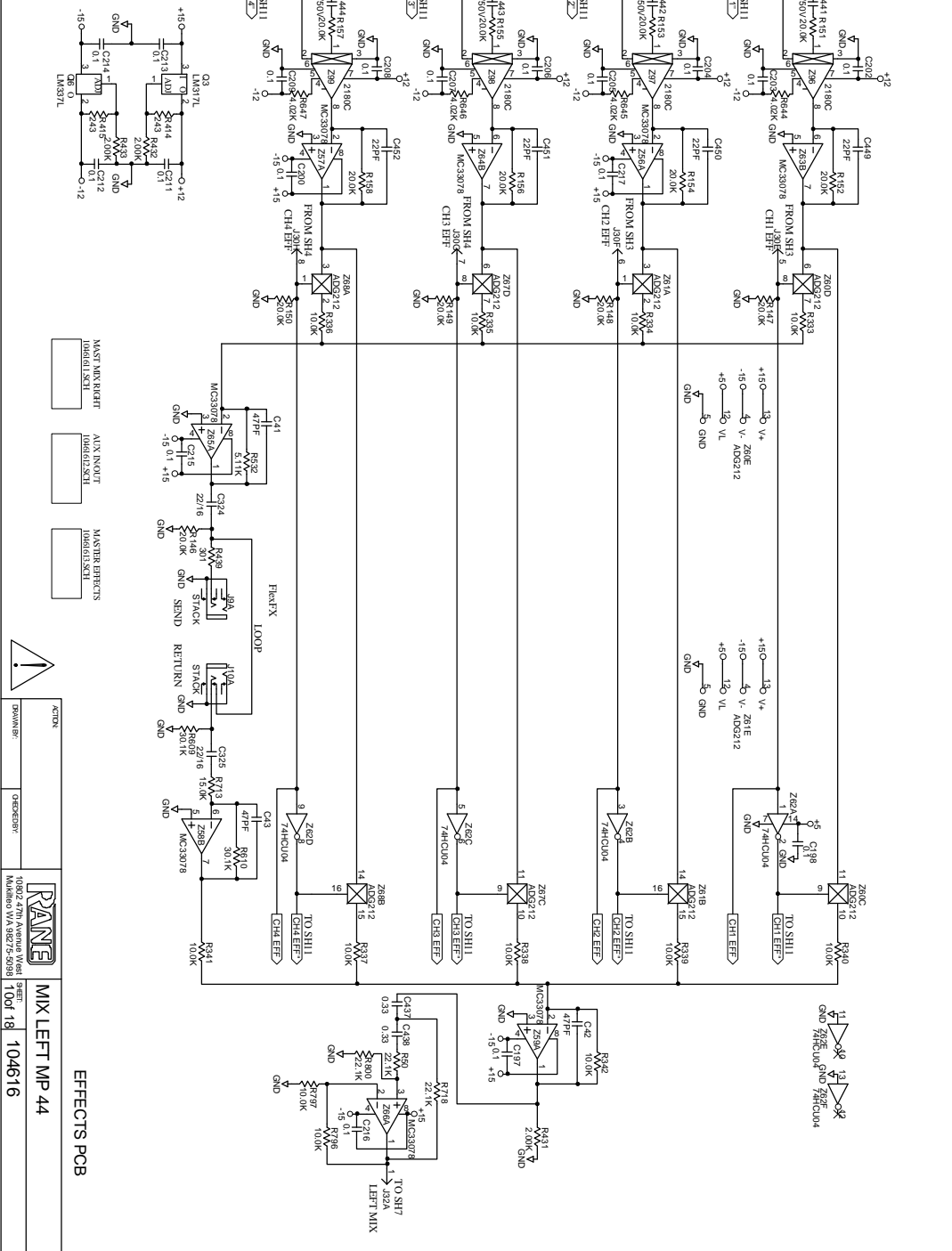


H:\MP44\104616.SCH

3-Jan-2001

PCB
 ACTION: DRAWING: CHECKED:
PANE
 10802 47th Avenue West
 Hudsons VVA 58275-5888
 SHEET: 8 of 18
CH1/2 TONE LEFT/RIGHT MP 44
 104616





EFFECTS PCB

MIX LEFT MP 44

10802 47th Avenue West
 Hudson, WA 98275-5888
 36ET 1001 18 104616

ACTION: DRAWN BY: CHECKED BY:

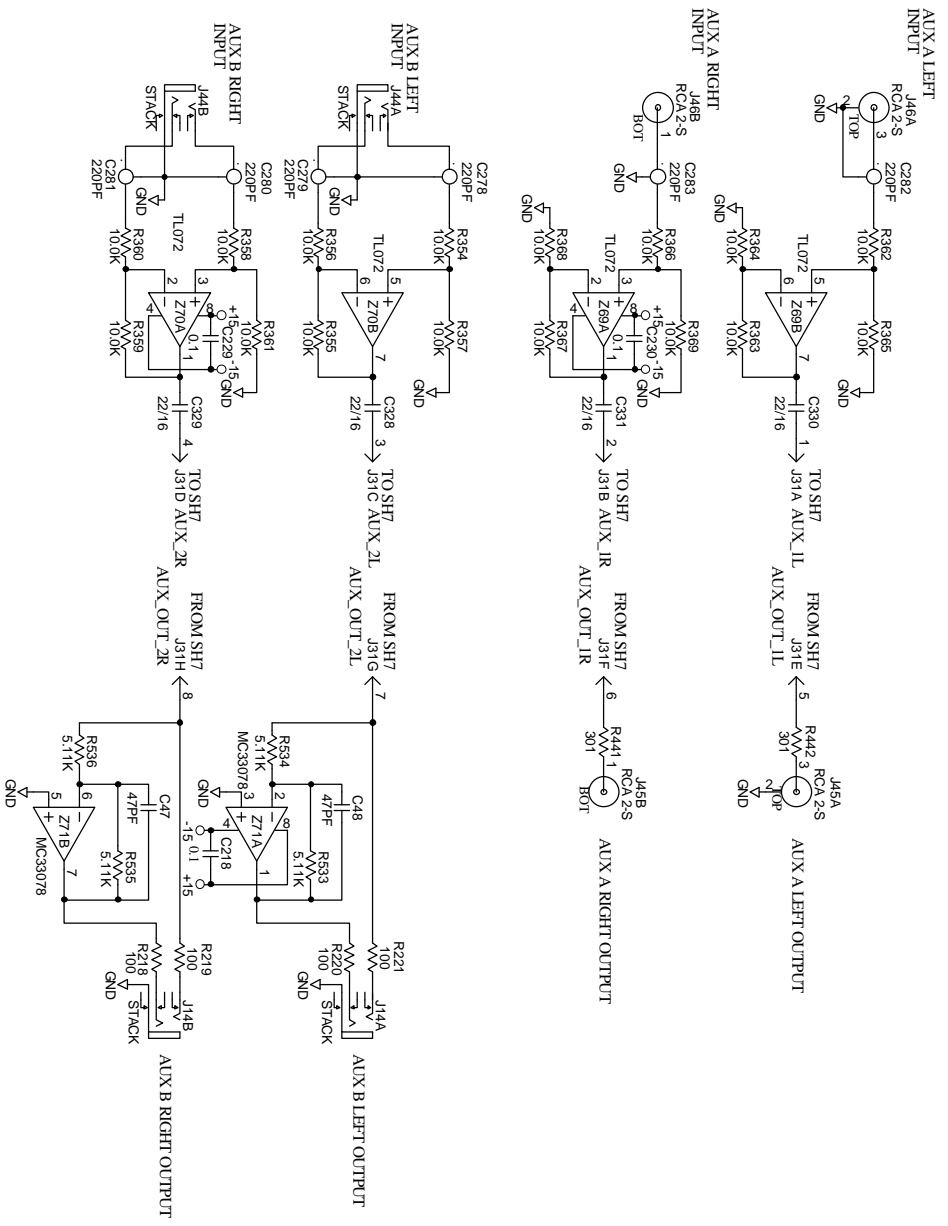


ACTION:	
DRAWN BY:	
CHECKED BY:	



10462 47th Avenue West Mableton VA 22075-5098
SHEET: 12 of 18
AUX IN/OUT MP 44
104616

EFFECTS PCB





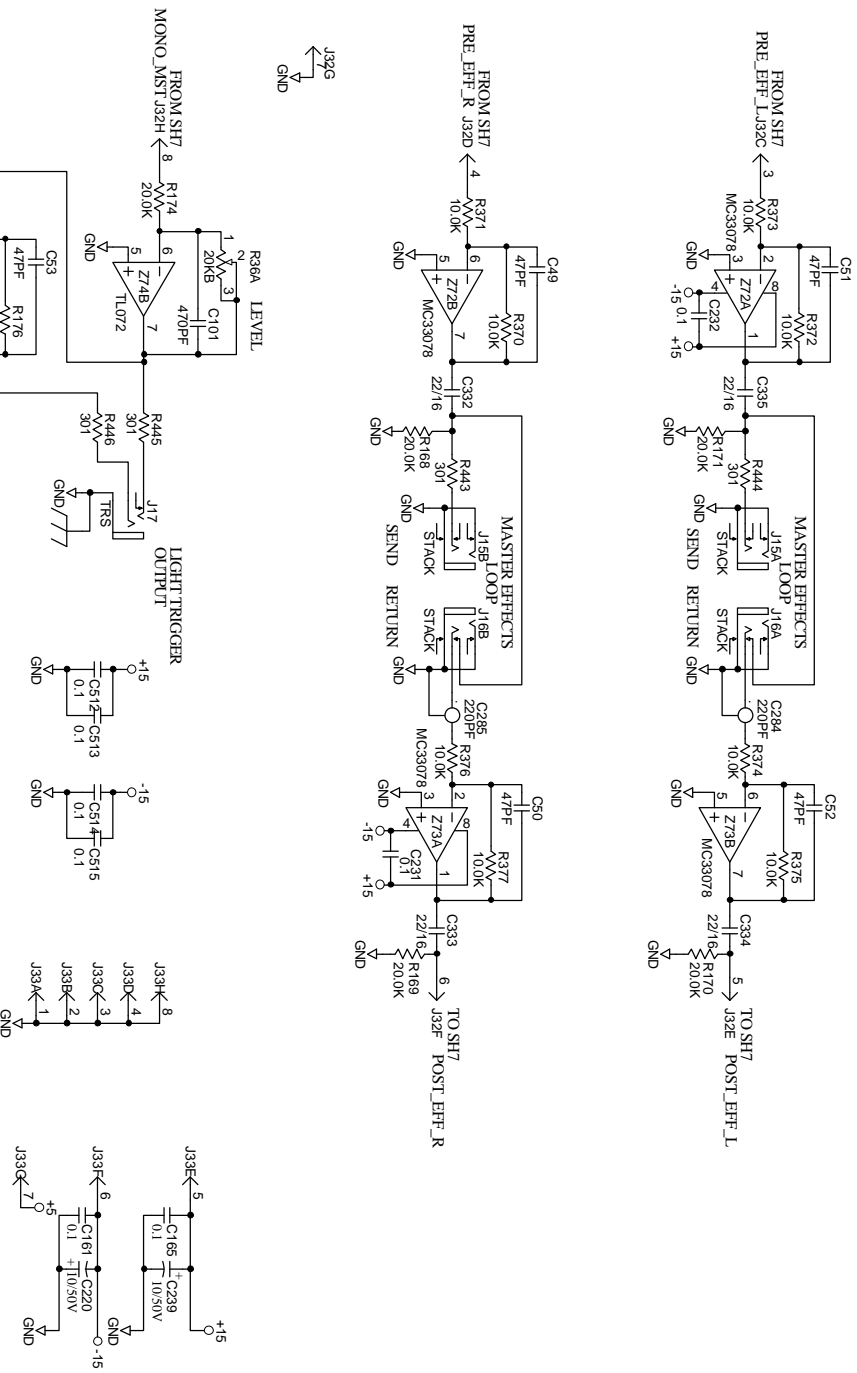
ACTION:
DRAWN BY:
CHECKED BY:

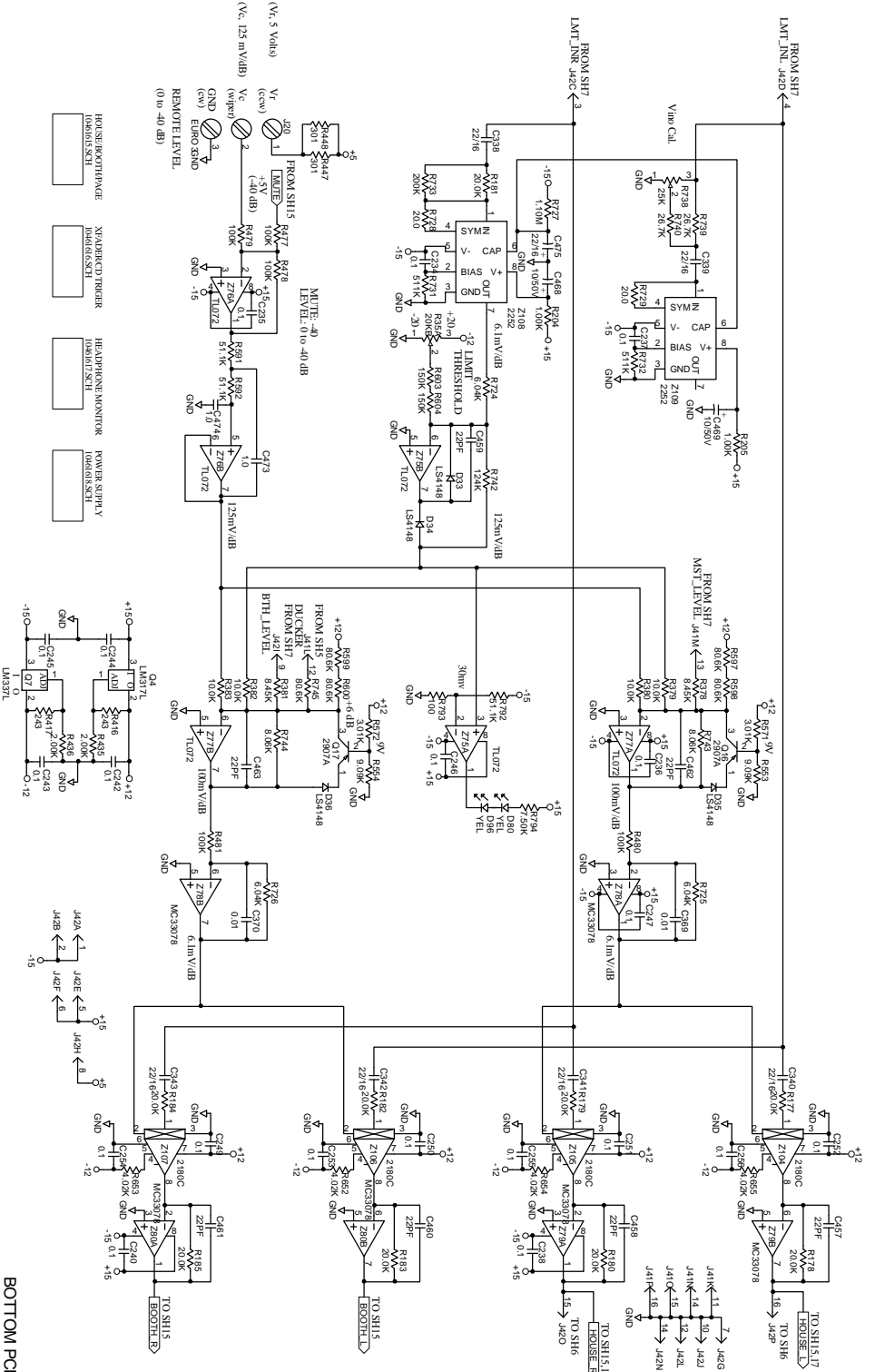


10462 47th Avenue West
Mulliken VA 98275-5098

MSTR FXLIGHT TRIG MP 44
SHEET: 13 of 18
104616

EFFECTS PCB





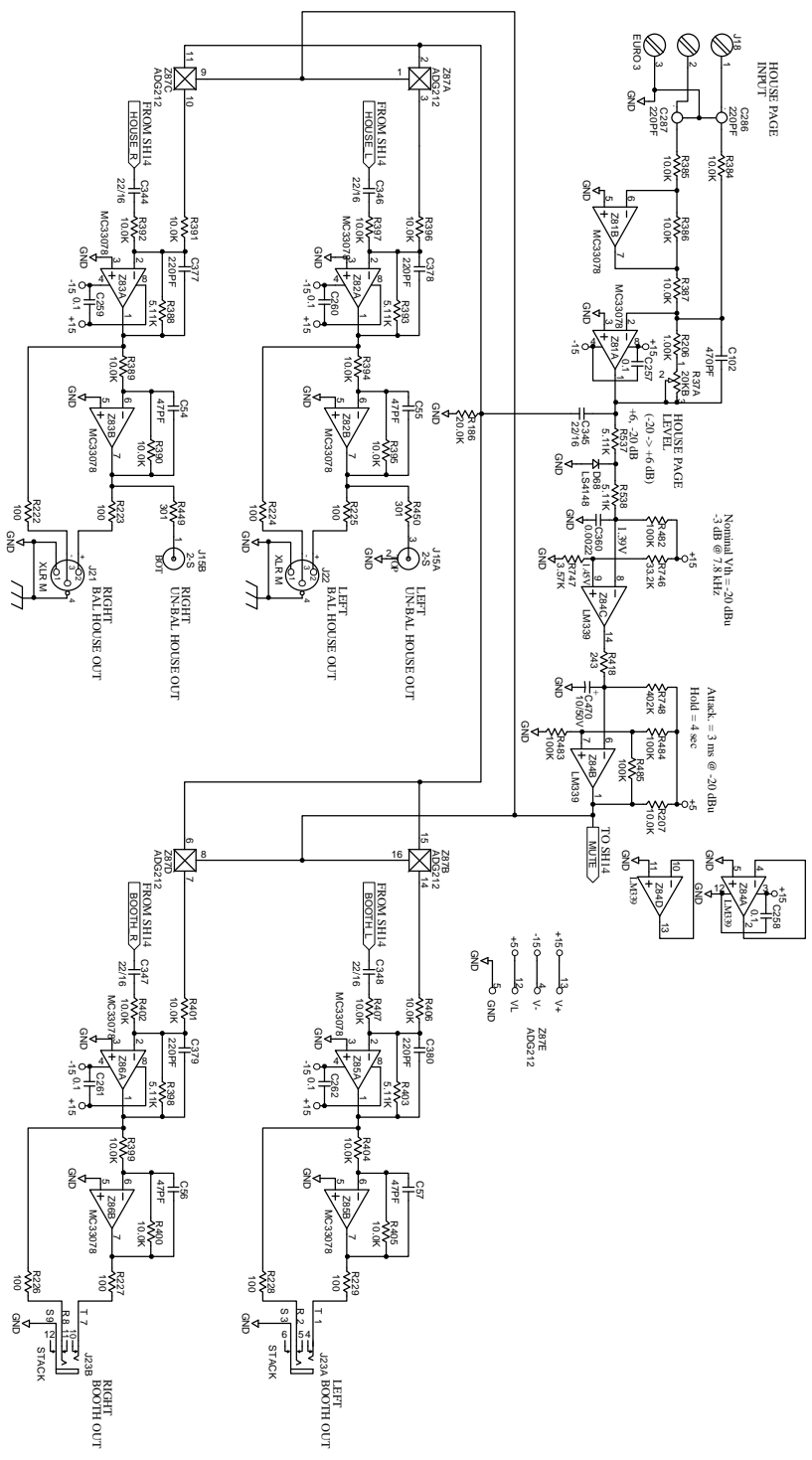
ACTION	REVISION	DATE
DESIGNED	106616	14-01-01
CHECKED	106616	14-01-01
APPROVED	106616	14-01-01

RYANE
 10892 27th Avenue West
 Hudsons VWA 58275-5898
 140 18 106616

LIMITER MP 44
 BOTTOM PCB



BOTTOM PCB





ACTION:
DRAWN BY:
CHECKED BY:



10462 47th Avenue West
Maple Ridge, BC V2X 2Y7
Canada
Tel: 604-461-1111
Fax: 604-461-1112

SHEET:
17 of 18
HEADPHONE/CUE MP 44
104616

BOTTOM PCB

